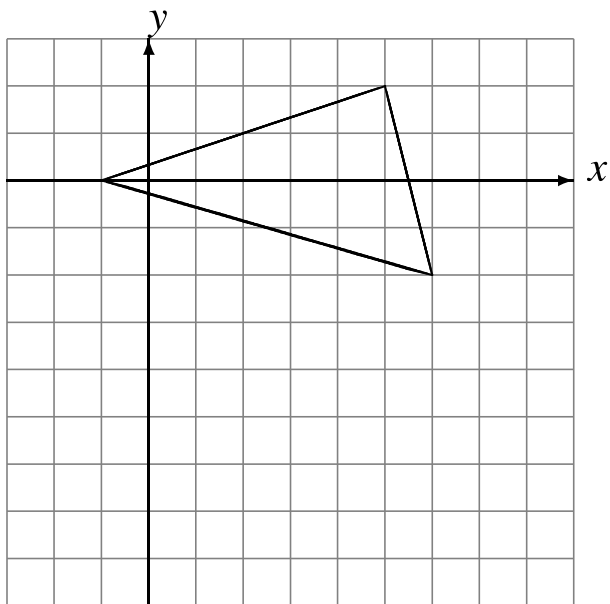


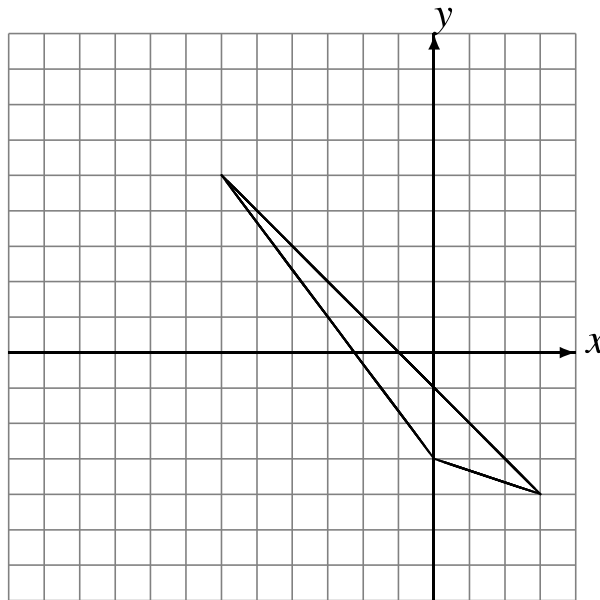
Reflections (A)

Draw the reflected image.

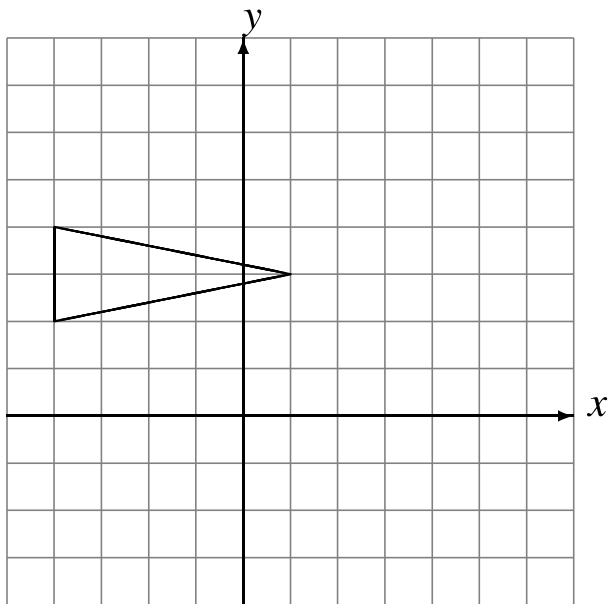
Reflect over $y = -3$.



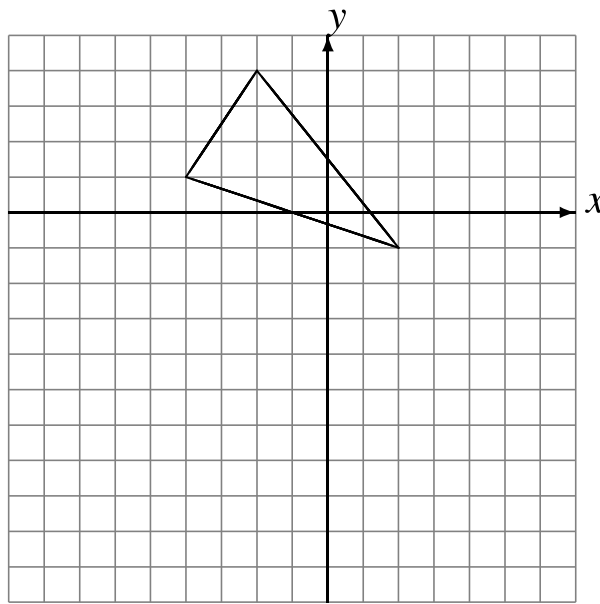
Reflect over $x = -4$.



Reflect over $x = 1$.



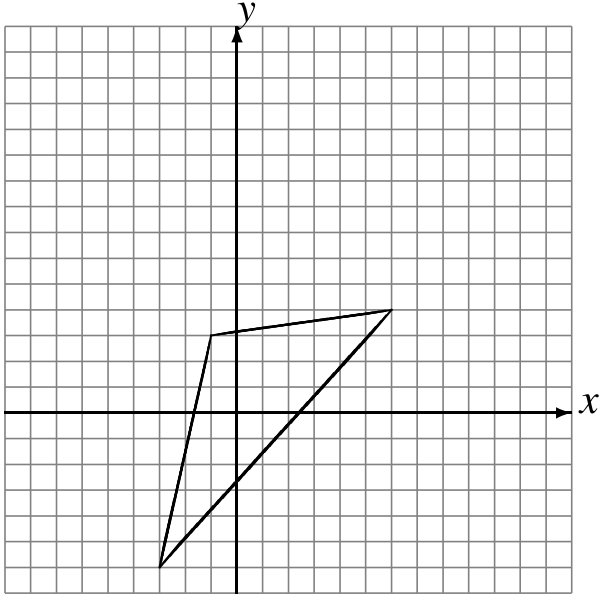
Reflect over $y = -3$.



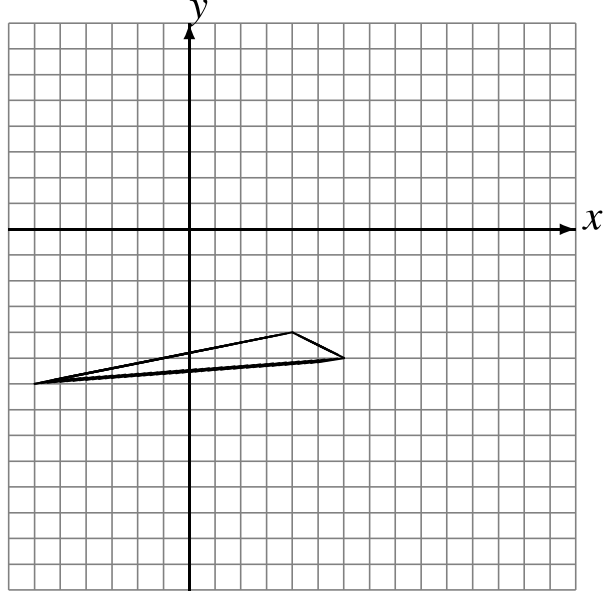
Reflections (B)

Draw the reflected image.

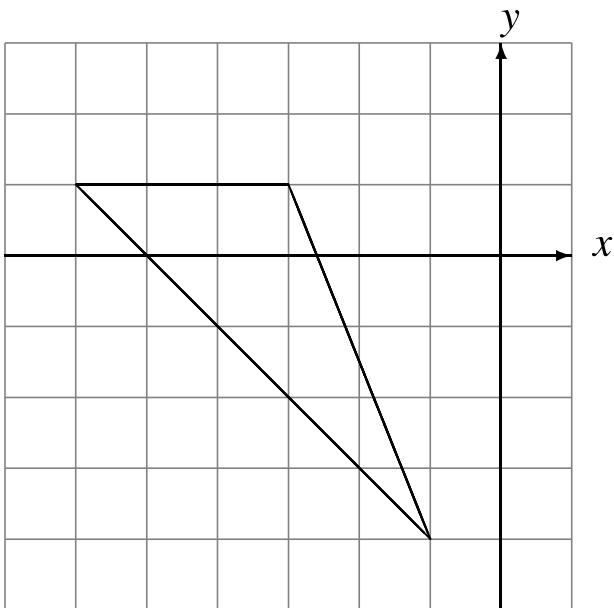
Reflect over $y = 4$.



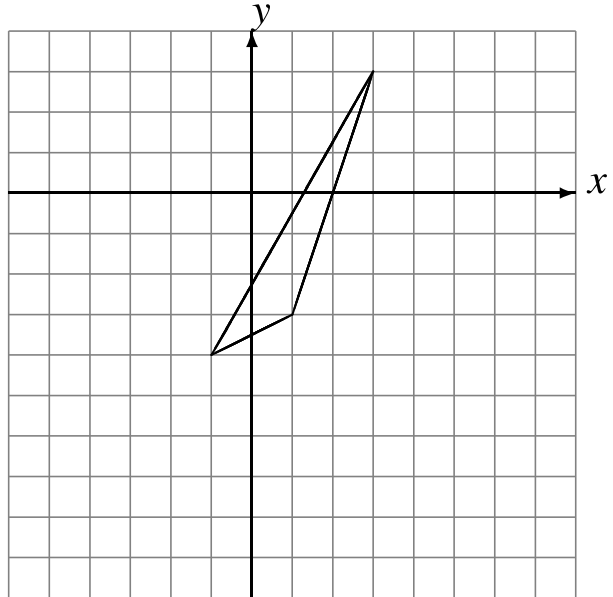
Reflect over $x = 4$.



Reflect over $x = -3$.



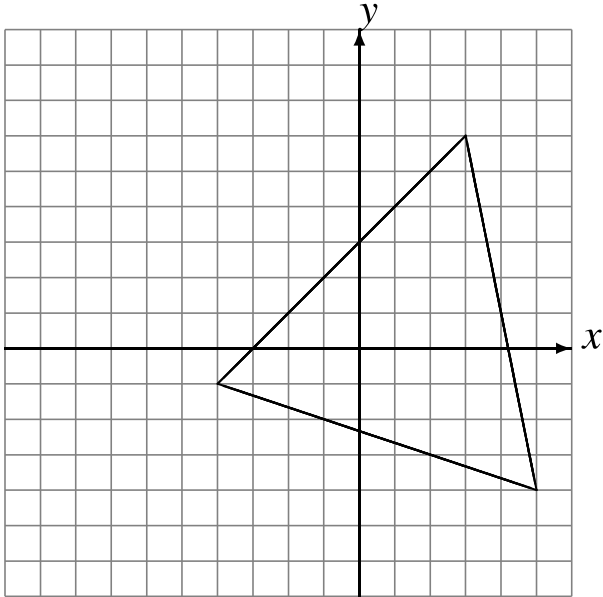
Reflect over $y = -3$.



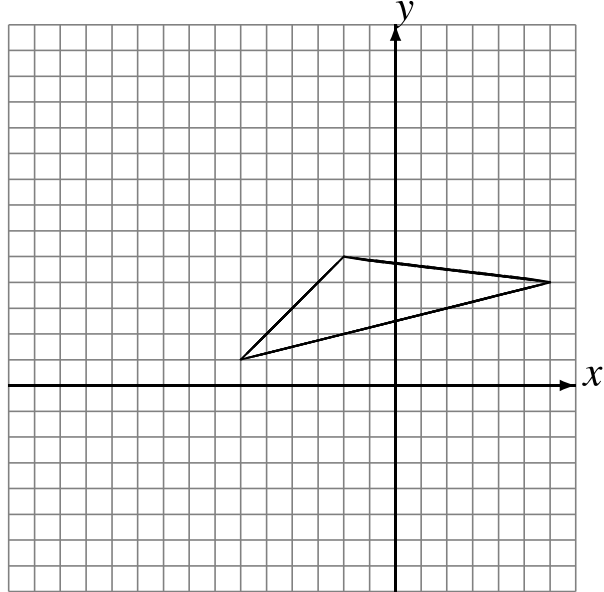
Reflections (C)

Draw the reflected image.

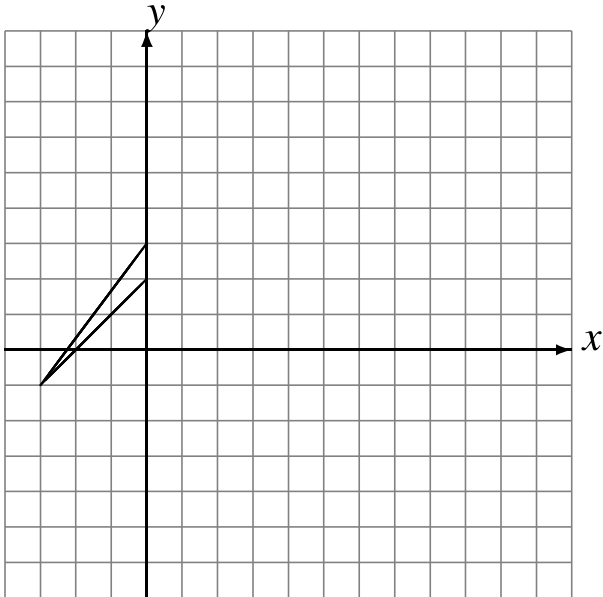
Reflect over $x = -2$.



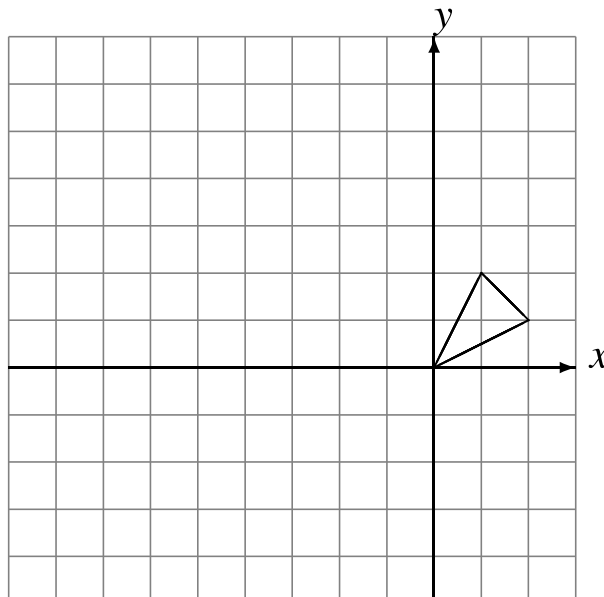
Reflect over $x = -4$.



Reflect over $x = 4$.



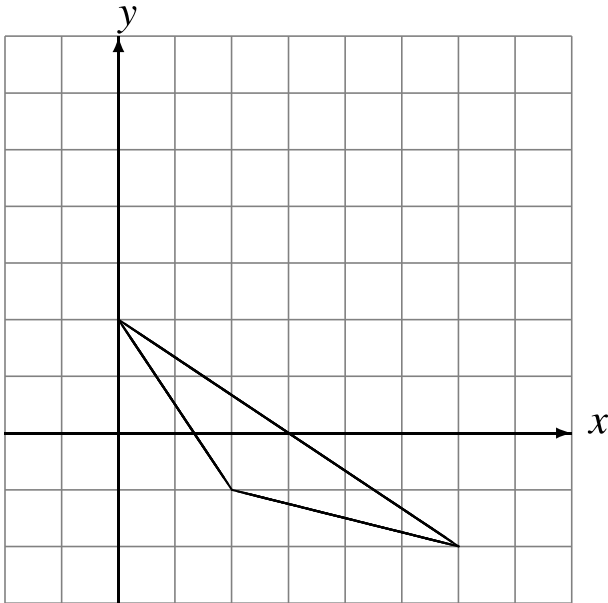
Reflect over $x = -3$.



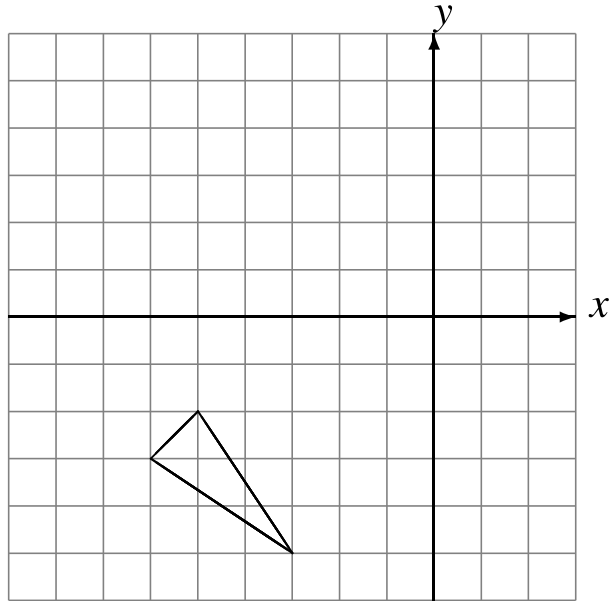
Reflections (D)

Draw the reflected image.

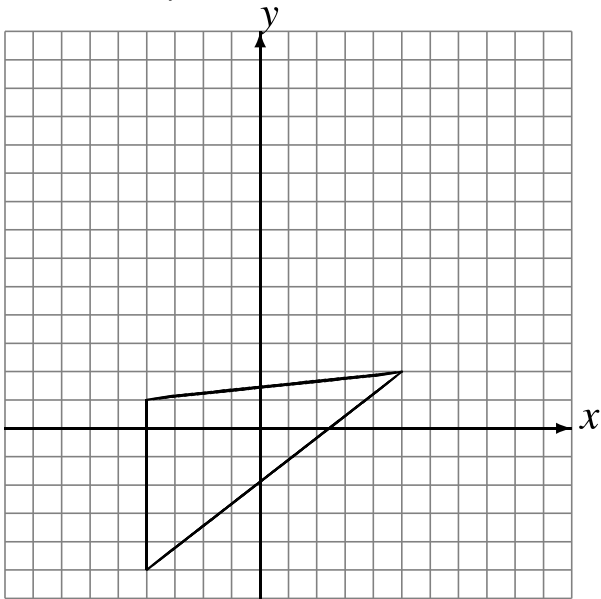
Reflect over $y = 2$.



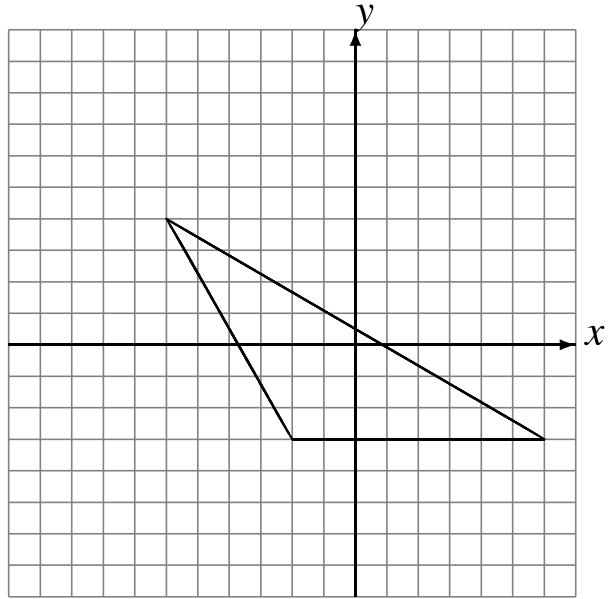
Reflect over $y = 0$.



Reflect over $y = 4$.



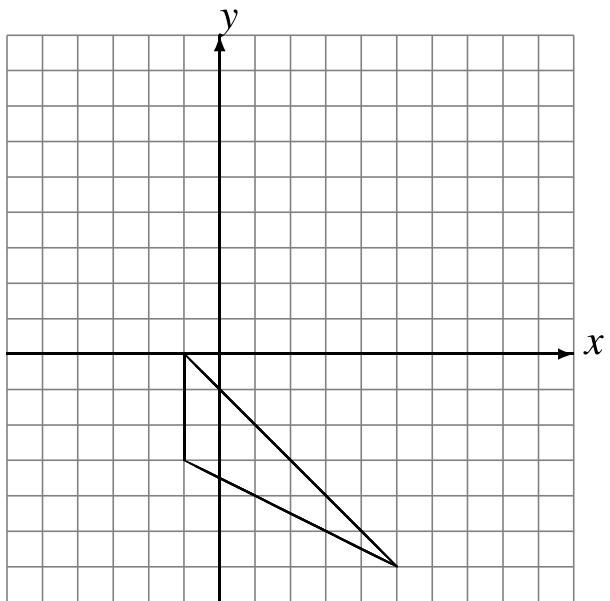
Reflect over $x = -2$.



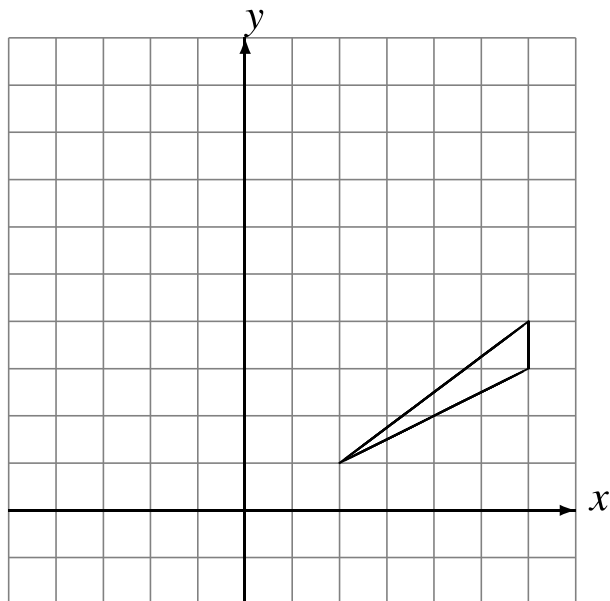
Reflections (A)

Draw the intermediate and reflected images.

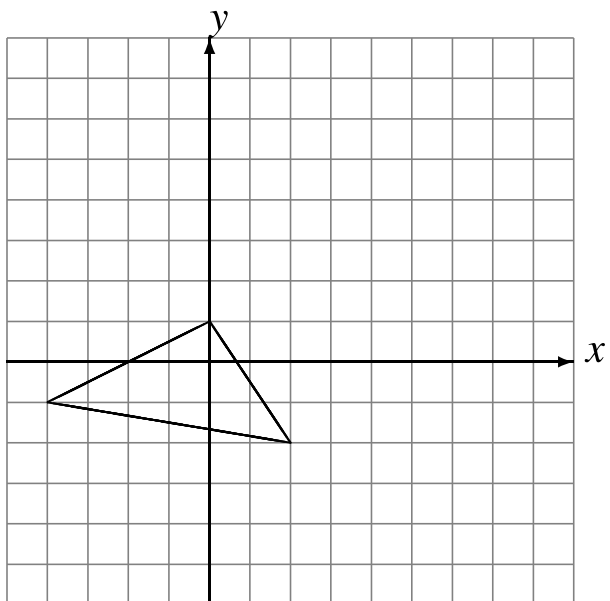
Reflect over $y = 1$.
Reflect over $y = 4$.



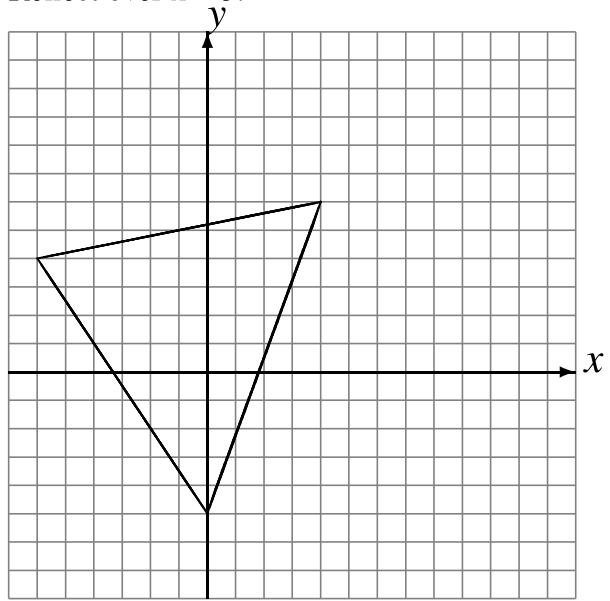
Reflect over $y = 4$.
Reflect over $x = 1$.



Reflect over $y = 1$.
Reflect over $x = 2$.



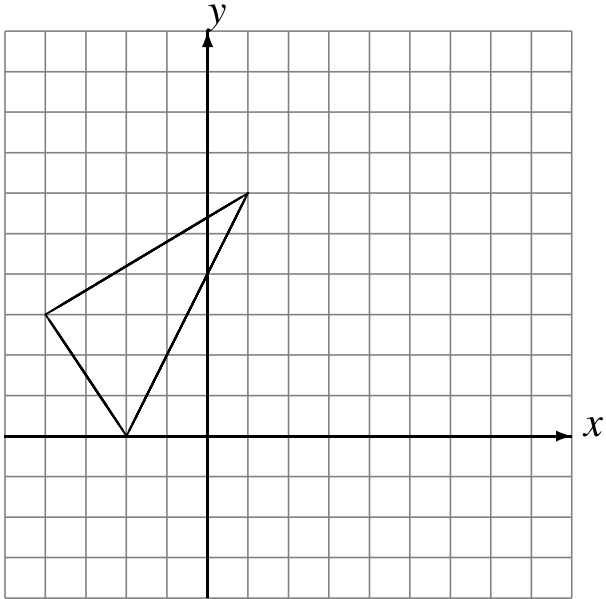
Reflect over $y = 2$.
Reflect over $x = 3$.



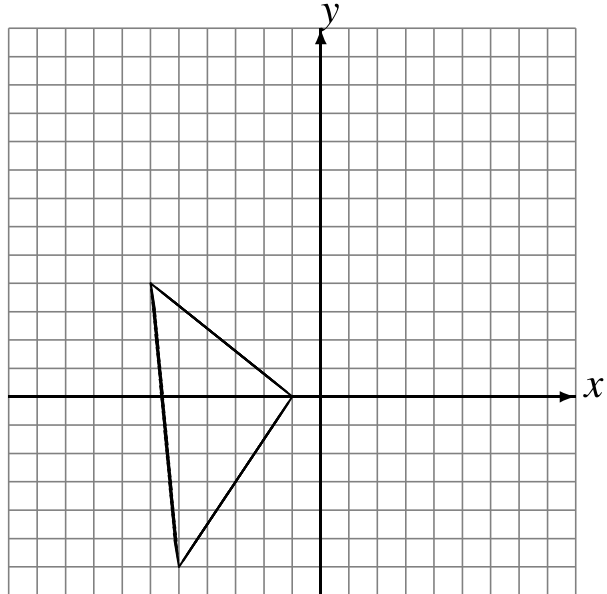
Reflections (B)

Draw the intermediate and reflected images.

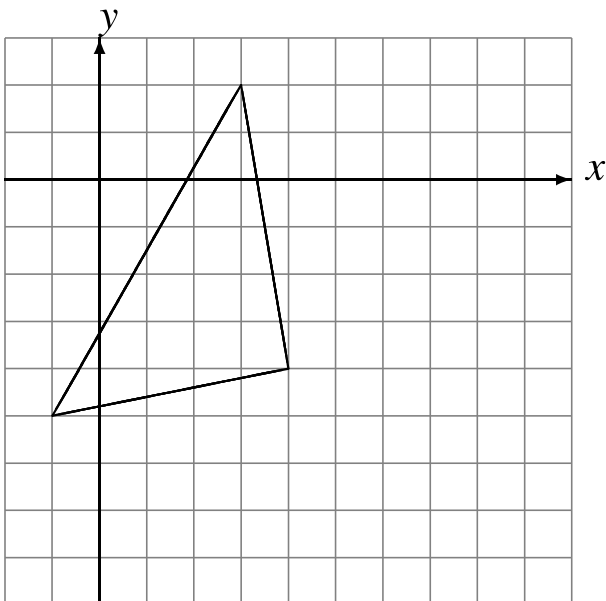
Reflect over $x = 2$.
Reflect over $x = 4$.



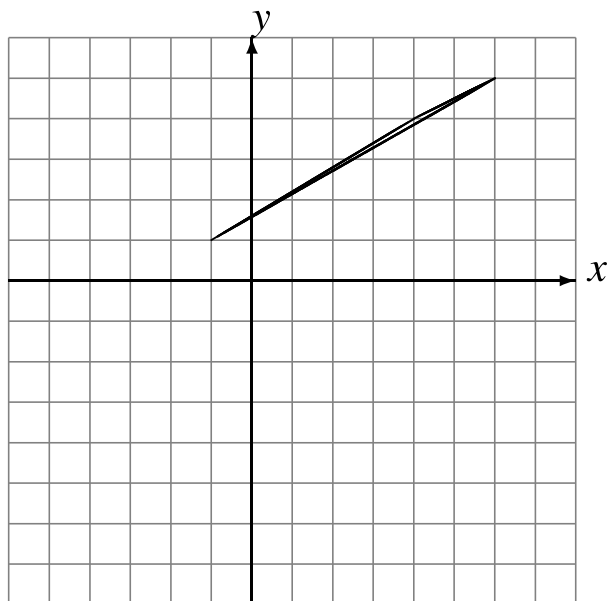
Reflect over $x = -1$.
Reflect over $y = 3$.



Reflect over $y = -3$.
Reflect over $x = 4$.



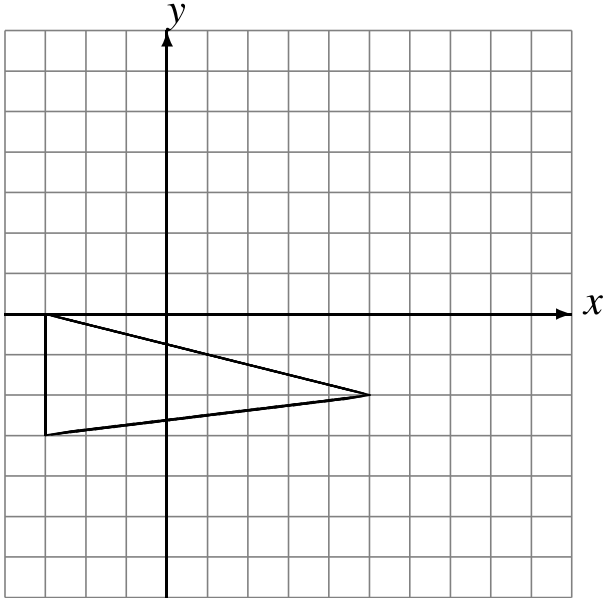
Reflect over $x = 1$.
Reflect over $y = -1$.



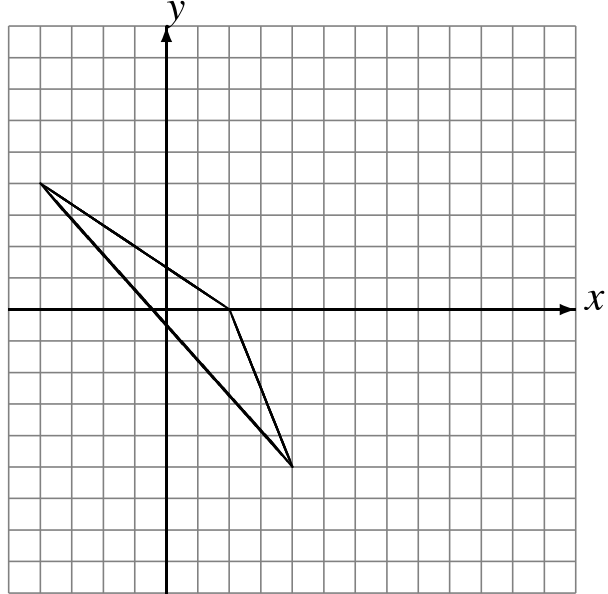
Reflections (C)

Draw the intermediate and reflected images.

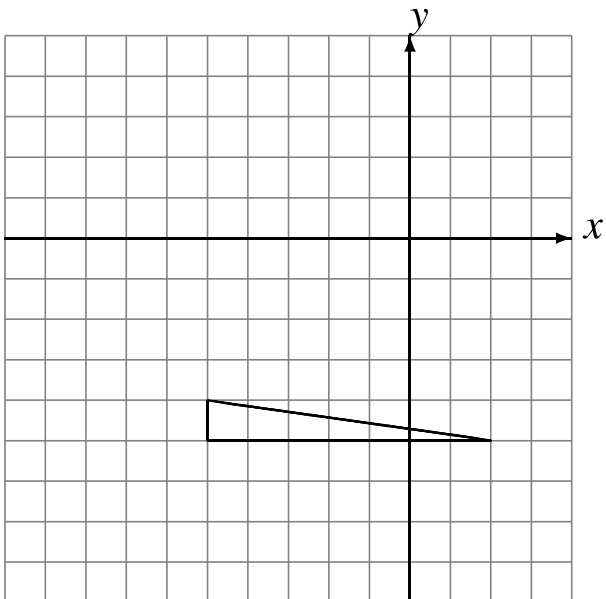
Reflect over $x = 3$.
Reflect over $y = 0$.



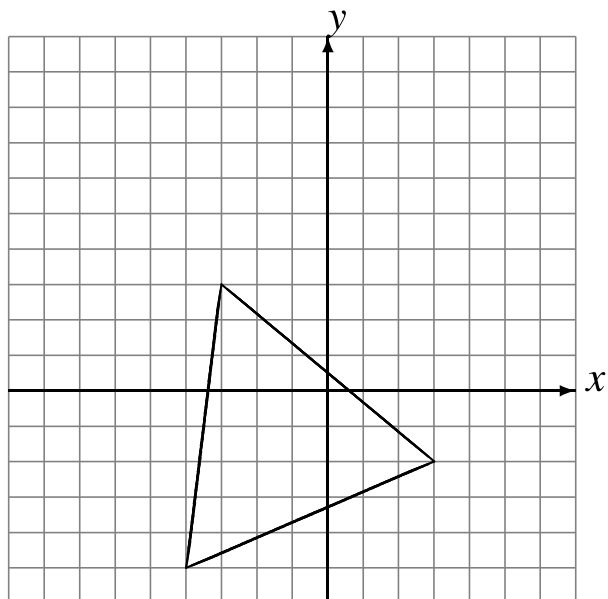
Reflect over $x = 4$.
Reflect over $y = 0$.



Reflect over $x = -1$.
Reflect over $x = -3$.



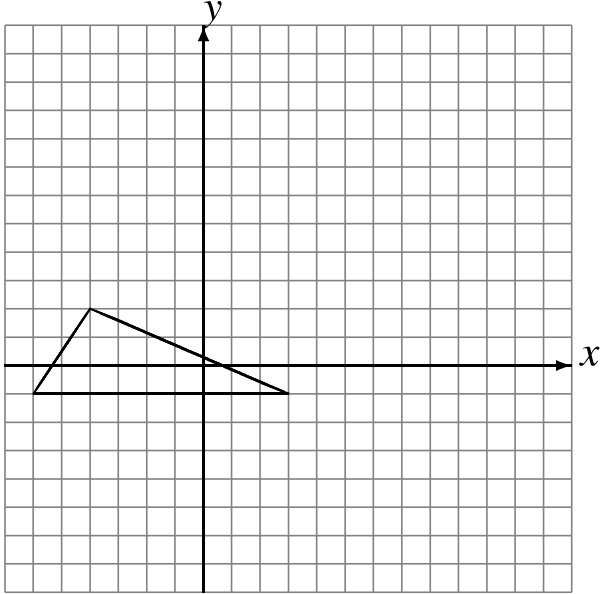
Reflect over $x = -1$.
Reflect over $y = 2$.



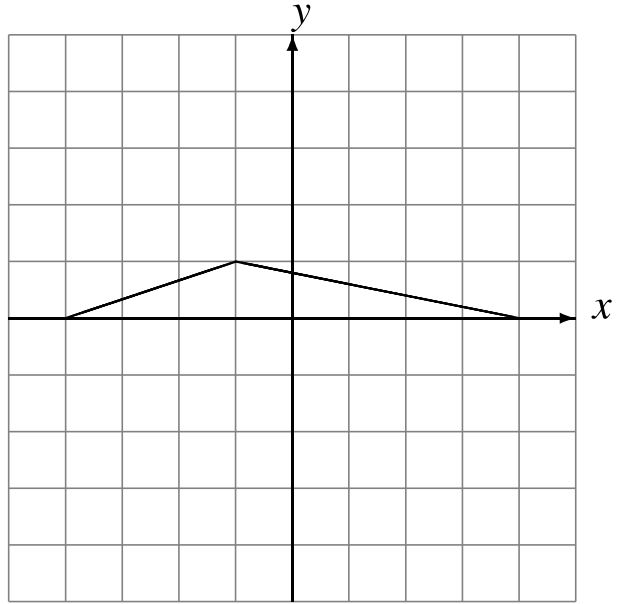
Reflections (D)

Draw the intermediate and reflected images.

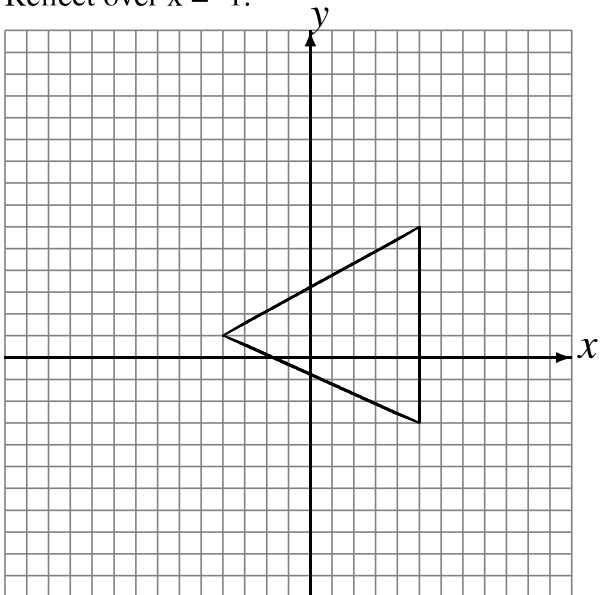
Reflect over $y = 2$.
Reflect over $x = 3$.



Reflect over $y = 0$.
Reflect over $y = 0$.



Reflect over $x = -4$.
Reflect over $x = -1$.



Reflect over $x = 2$.
Reflect over $y = -4$.

